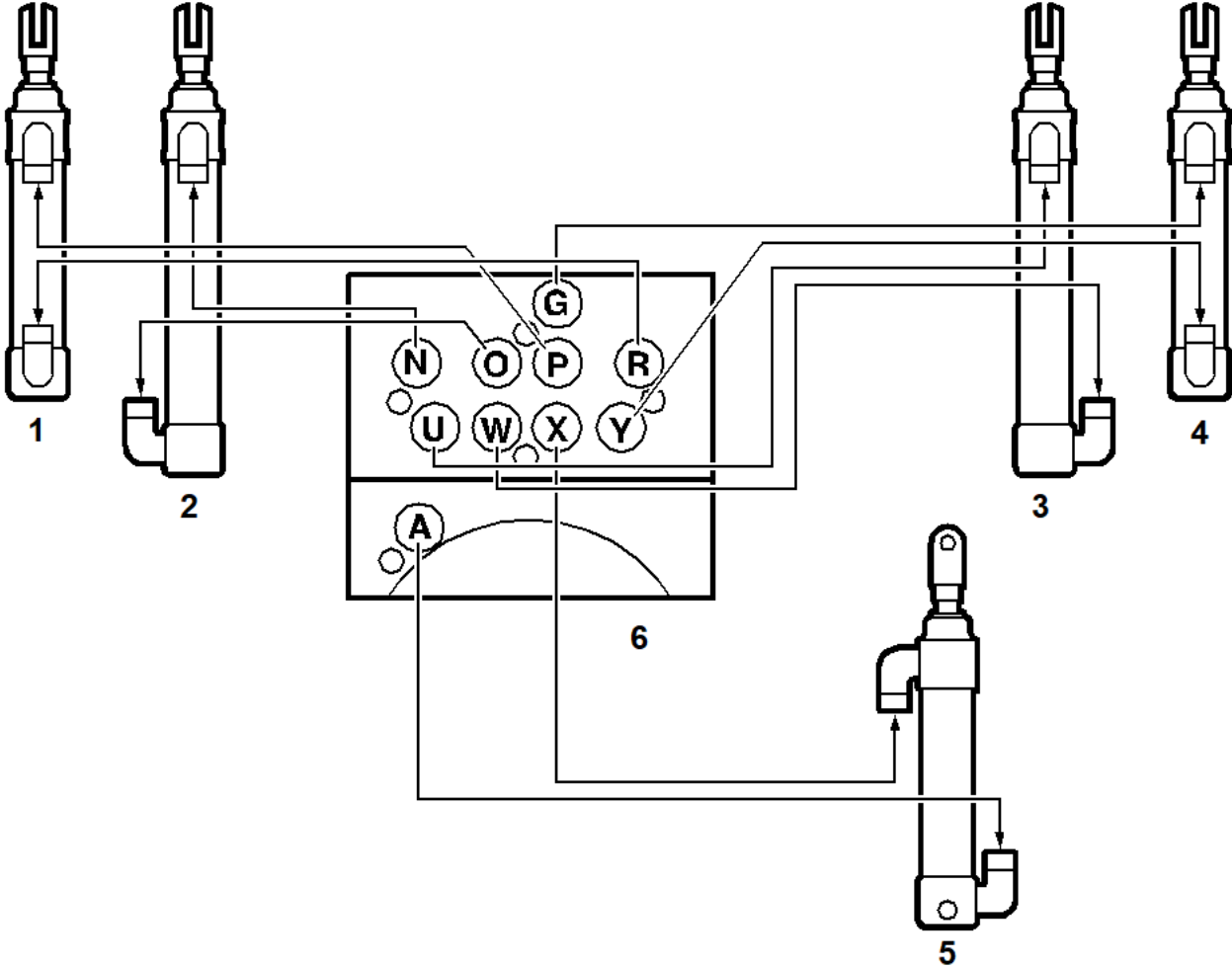


- 1. Fifth bow hydraulic cylinder, LH
- 2. Main hydraulic cylinder, LH
- 3. Main hydraulic cylinder, RH
- 4. Fifth bow hydraulic cylinder, RH
- 5. Soft top cover cylinder
- 6. Hydraulic unit



Hydraulic hose marking	FAILURE	Hydraulic cylinder connection	Length in mm
N	Main hydraulic cylinder DOWN	Main hydraulic cylinder, LH, upper	1335
O	Main hydraulic cylinder UP	Main hydraulic cylinder, LH, lower	1185
P	Fifth bow hydraulic cylinder DOWN	Fifth bow hydraulic cylinder, LH, upper	1235
R	Fifth bow hydraulic cylinder UP	Fifth bow hydraulic cylinder, LH lower	1075
U	Main hydraulic cylinder DOWN	Main hydraulic cylinder, RH, upper	1850
W	Main hydraulic cylinder UP	Main hydraulic cylinder, RH, lower	1660
G	Fifth bow hydraulic cylinder DOWN	Fifth bow hydraulic cylinder, RH, upper	1665
Y	Fifth bow hydraulic cylinder UP	Fifth bow hydraulic cylinder, RH, lower	1510
X	Soft top cover hydraulic cylinder DOWN	Soft top cover hydraulic cylinder, upper	1640
A	Soft top cover hydraulic cylinder UP	Soft top cover hydraulic cylinder, lower	1900